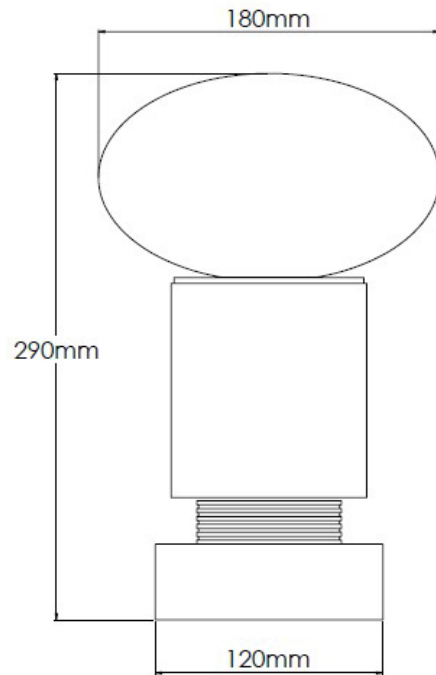


Product Description

Medium table lamp with granite base and alabaster shade

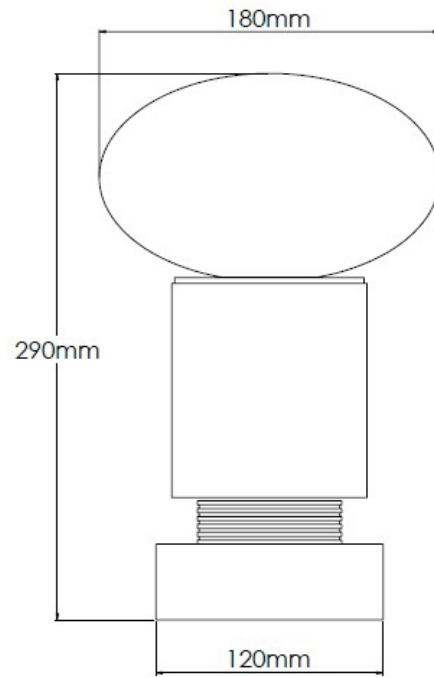


Technical Specification

MATERIAL	Steel / Brass / Granite / Alabaster	IP Rating	IP20
FINISH	Carbonne M6/CRB	HEIGHT	290mm
LAMPHOLDER TYPE	Large G9	WIDTH	180mm
RECOMMENDED LAMP	G9	DEPTH/PROJECTION	180mm
MAX WATTAGE	3W	BACK/CEILING PLATE	N/A
CERTIFICATIONS	UKCA CE	BASE DIAMETER	120mm
DIMMABLE	Mains - If lamps are compatible	WEIGHT	5kg
CLASS I / II / III	Class I	SHADE MATERIAL	Alabaster

Product Description

Medium table lamp with granite base and glass shade

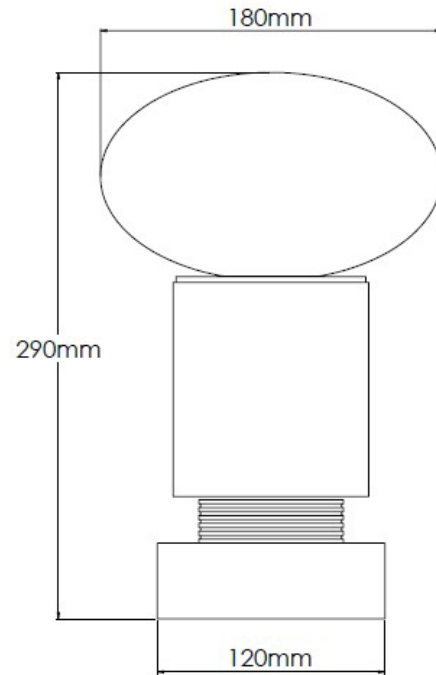


Technical Specification

MATERIAL	Steel / Brass / Granite / Glass	IP Rating	IP20
FINISH	Carbonne M6/CRB	HEIGHT	190mm
LAMPHOLDER TYPE	Large G9	WIDTH	180mm
RECOMMENDED LAMP	G9	DEPTH/PROJECTION	180mm
MAX WATTAGE	3W	BACK/CEILING PLATE	N/A
CERTIFICATIONS	UKCA CE	BASE DIAMETER	120mm
DIMMABLE	Mains - If lamps are compatible	WEIGHT	5kg
CLASS I / II / III	Class I	SHADE MATERIAL	Glass

Product Description

Medium table lamp with marble base and alabaster shade

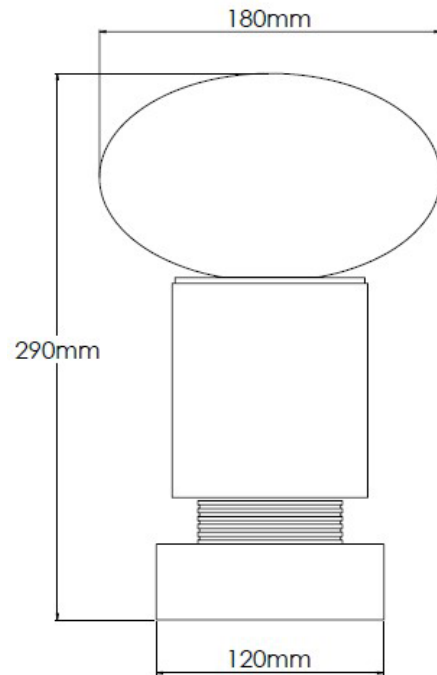


Technical Specification

MATERIAL	Steel / Brass / Marble / Alabaster	IP Rating	IP20
FINISH	Carbonne M6/CRB	HEIGHT	190mm
LAMPHOLDER TYPE	Large G9	WIDTH	180mm
RECOMMENDED LAMP	G9	DEPTH/PROJECTION	180mm
MAX WATTAGE	3W	BACK/CEILING PLATE	N/A
CERTIFICATIONS	UKCA CE	BASE DIAMETER	120mm
DIMMABLE	Mains - If lamps are compatible	WEIGHT	5kg
CLASS I / II / III	Class I	SHADE MATERIAL	Alabaster

Product Description

Medium table lamp with marble base and glass shade



Technical Specification

MATERIAL	Steel / Brass / Marble / Glass	IP Rating	IP20
FINISH	Carbonne M6/CRB	HEIGHT	190mm
LAMPHOLDER TYPE	Large G9	WIDTH	180mm
RECOMMENDED LAMP	G9	DEPTH/PROJECTION	180mm
MAX WATTAGE	3W	BACK/CEILING PLATE	N/A
CERTIFICATIONS	UKCA CE	BASE DIAMETER	120mm
DIMMABLE	Mains - If lamps are compatible	WEIGHT	5kg
CLASS I / II / III	Class I	SHADE MATERIAL	Glass