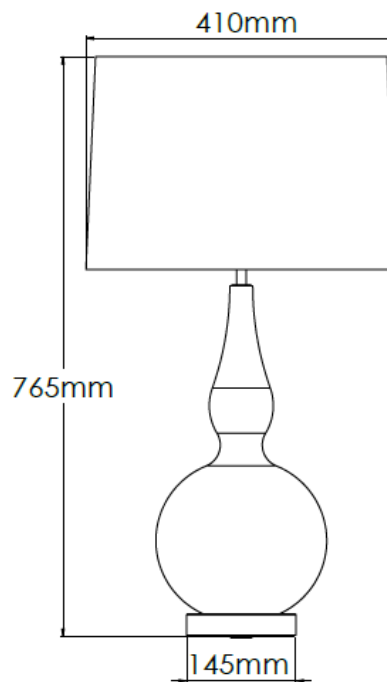


Product Description

Midnight ceramic table lamp with brass base and , int fabric shade

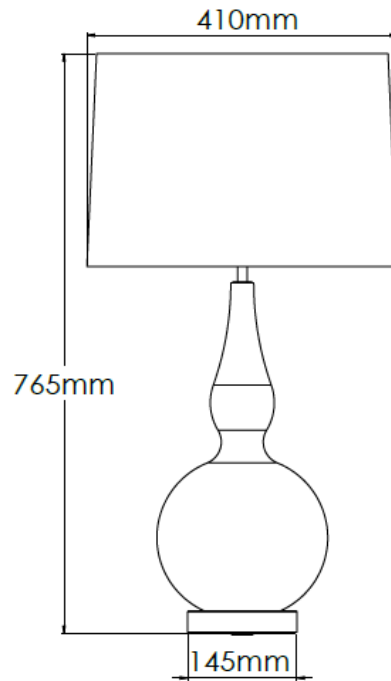


Technical Specification

MATERIAL	Ceramic / Brass	IP Rating	IP20
FINISH	Rich Bronze M6/RBZ	HEIGHT	765mm
LAMPHOLDER TYPE	E27 x 1	WIDTH	410mm
RECOMMENDED LAMP	GLS	DEPTH/PROJECTION	410mm
MAX WATTAGE	12W	BACK/CEILING PLATE	N/A
CERTIFICATIONS	UKCA CE	BASE DIAMETER	145mm
DIMMABLE	Mains - If lamps are compatible	WEIGHT	10kg
CLASS I / II / III	Class I	SHADE MATERIAL	Fabric

Product Description

Olive ceramic table lamp with brass base and helsinki connaught fabric shade

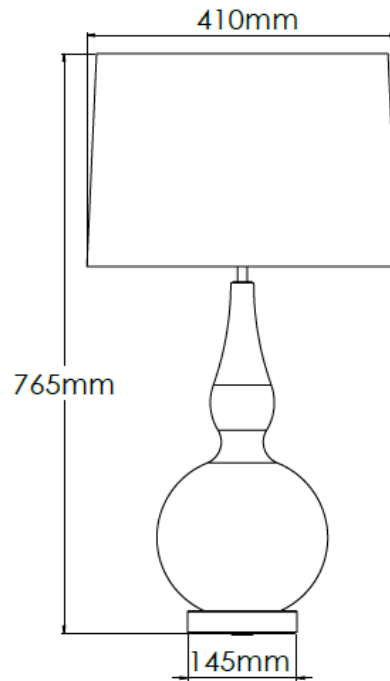


Technical Specification

MATERIAL	Ceramic / Brass	IP Rating	IP20
FINISH	Rich Bronze M6/RBZ	HEIGHT	765mm
LAMPHOLDER TYPE	E27 x 1	WIDTH	410mm
RECOMMENDED LAMP	GLS	DEPTH/PROJECTION	410mm
MAX WATTAGE	12W	BACK/CEILING PLATE	N/A
CERTIFICATIONS	UKCA CE	BASE DIAMETER	145mm
DIMMABLE	Mains - If lamps are compatible	WEIGHT	10kg
CLASS I / II / III	Class I	SHADE MATERIAL	Fabric

Product Description

Stone ceramic table lamp with brass base and zinc fabric shade



Technical Specification

MATERIAL	Ceramic / Brass	IP Rating	IP20
FINISH	Rich Bronze M6/RBZ	HEIGHT	765mm
LAMPHOLDER TYPE	E27 x 1	WIDTH	410mm
RECOMMENDED LAMP	GLS	DEPTH/PROJECTION	410mm
MAX WATTAGE	12W	BACK/CEILING PLATE	N/A
CERTIFICATIONS	UKCA CE	BASE DIAMETER	145mm
DIMMABLE	Mains - If lamps are compatible	WEIGHT	10kg
CLASS I / II / III	Class I	SHADE MATERIAL	Fabric