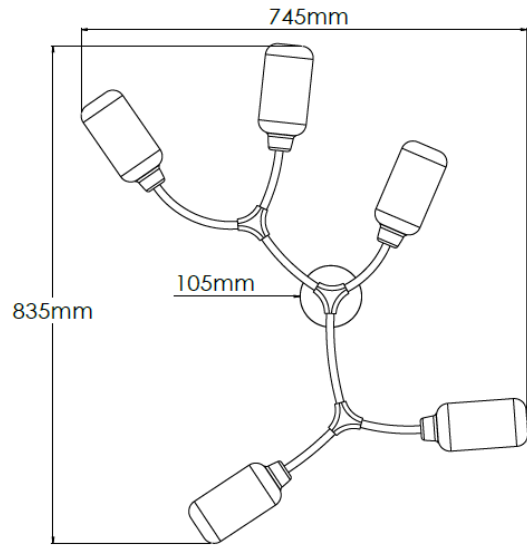
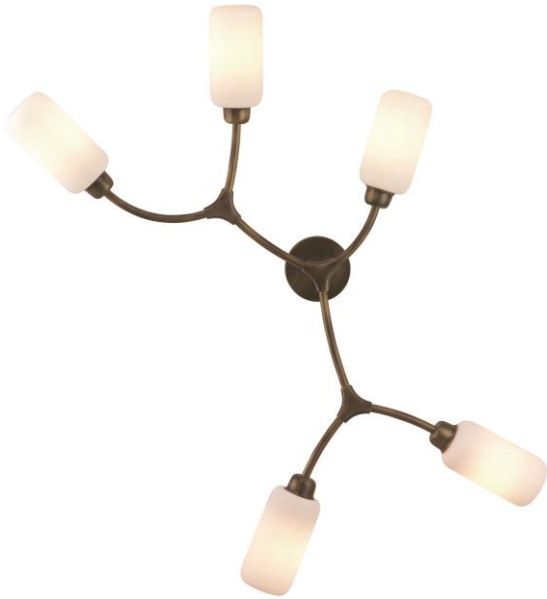


## Product Description

Old English Brass body with matt opal glass shades

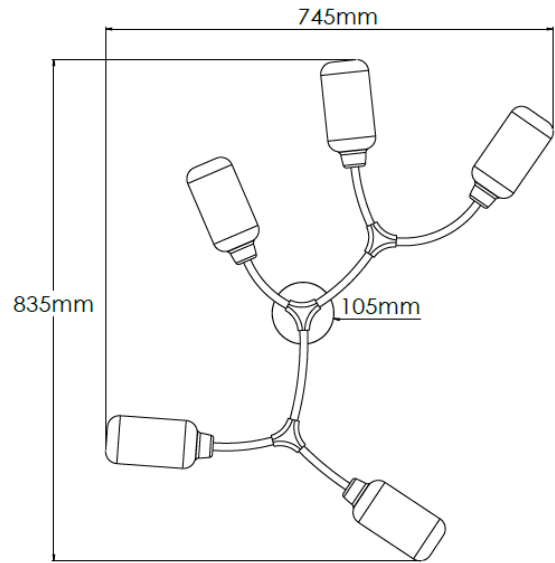


## Technical Specification

<b>MATERIAL</b>	Brass / Glass	<b>IP Rating</b>	IP20
<b>FINISH</b>	Old English Light M6/OEBL	<b>HEIGHT</b>	835mm
<b>LAMPHOLDER TYPE</b>	SES x 1	<b>WIDTH</b>	745mm
<b>RECOMMENDED LAMP</b>	Tube < 28mm Dia.	<b>DEPTH/PROJECTION</b>	155mm
<b>MAX WATTAGE</b>	20W	<b>BACK/CEILING PLATE</b>	105mm
<b>CERTIFICATIONS</b>	UKCA CE	<b>BASE DIAMETER</b>	N/A
<b>DIMMABLE</b>	Mains - If lamps are compatible	<b>WEIGHT</b>	10kg
<b>CLASS I / II / III</b>	Class I	<b>SHADE MATERIAL</b>	Glass

## Product Description

Old English Brass body with matt opal glass shades



## Technical Specification

<b>MATERIAL</b>	Brass / Glass	<b>IP Rating</b>	IP20
<b>FINISH</b>	Old English Light M6/OEBL	<b>HEIGHT</b>	835mm
<b>LAMPHOLDER TYPE</b>	SES x 1	<b>WIDTH</b>	745mm
<b>RECOMMENDED LAMP</b>	Tube < 28mm Dia.	<b>DEPTH/PROJECTION</b>	155mm
<b>MAX WATTAGE</b>	20W	<b>BACK/CEILING PLATE</b>	105mm
<b>CERTIFICATIONS</b>	UKCA CE	<b>BASE DIAMETER</b>	N/A
<b>DIMMABLE</b>	Mains - If lamps are compatible	<b>WEIGHT</b>	10kg
<b>CLASS I / II / III</b>	Class I	<b>SHADE MATERIAL</b>	Glass