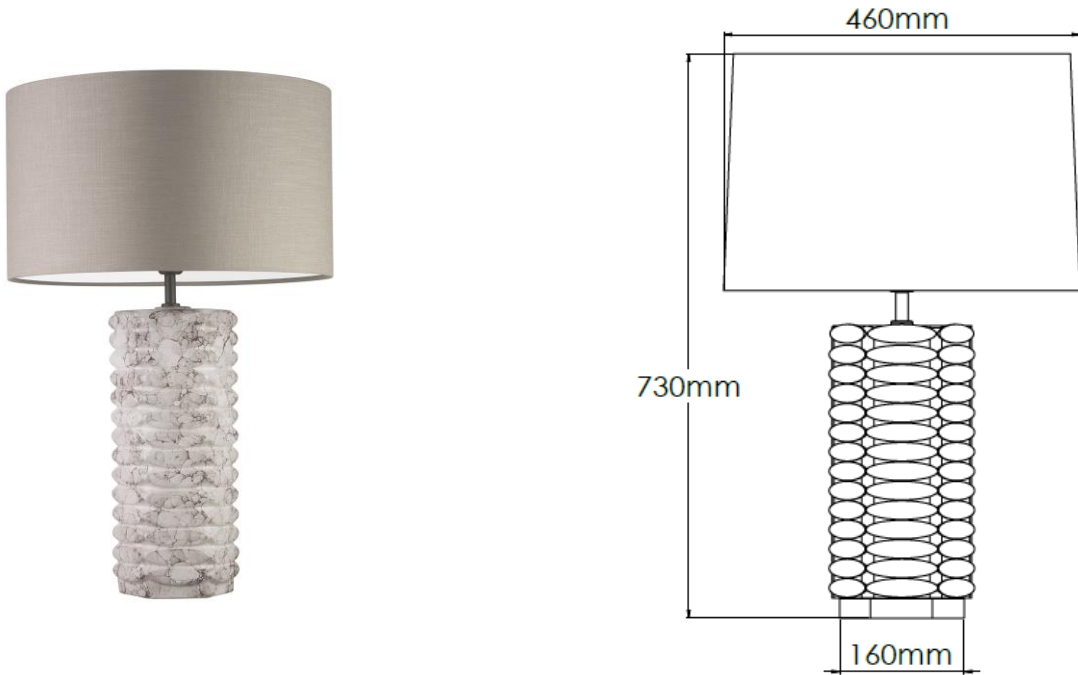


Product Description

Ammonite ceramic table lamp with Zinc short drum shade

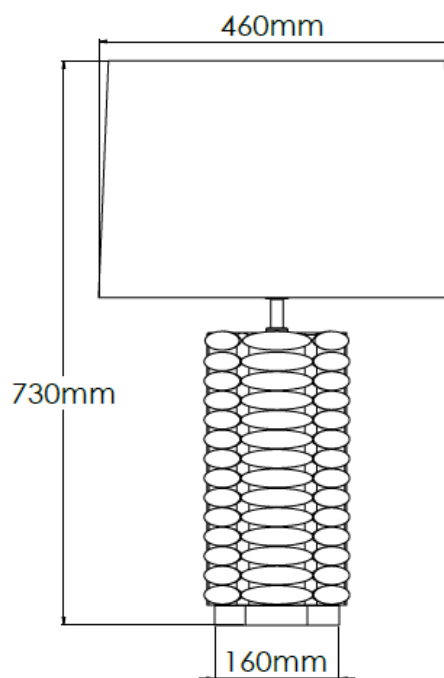


Technical Specification

MATERIAL	Ceramic / Brass	IP Rating	IP20
FINISH	Ammonite	HEIGHT	730mm
LAMPHOLDER TYPE	E27 x 1	WIDTH	460mm
RECOMMENDED LAMP	GLS	DEPTH/PROJECTION	460mm
MAX WATTAGE	12W	BACK/CEILING PLATE	N/A
CERTIFICATIONS	UKCA CE	BASE DIAMETER	160mm
DIMMABLE	Mains - If lamps are compatible	WEIGHT	10kg
CLASS I / II / III	Class I	SHADE MATERIAL	Fabric

Product Description

Birch ceramic table lamp with Tussah cocoa soho drum shade

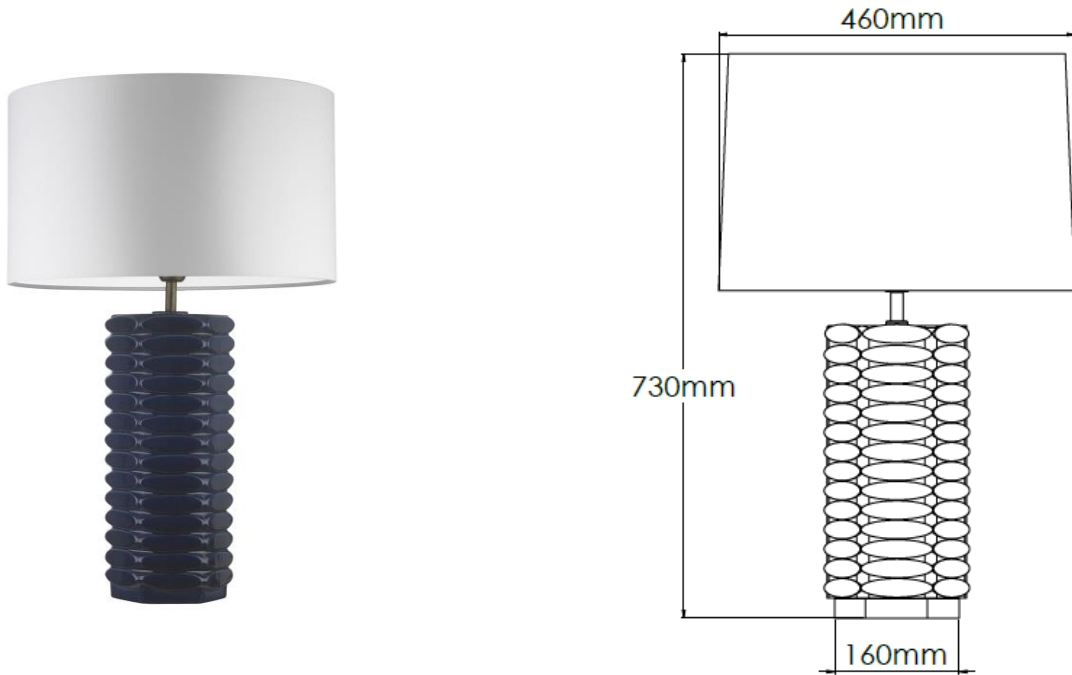


Technical Specification

MATERIAL	Ceramic / Brass	IP Rating	IP20
FINISH	Birch	HEIGHT	730mm
LAMPHOLDER TYPE	E27 x 1	WIDTH	460mm
RECOMMENDED LAMP	GLS	DEPTH/PROJECTION	460mm
MAX WATTAGE	12W	BACK/CEILING PLATE	N/A
CERTIFICATIONS	UKCA CE	BASE DIAMETER	160mm
DIMMABLE	Mains - If lamps are compatible	WEIGHT	10kg
CLASS I / II / III	Class I	SHADE MATERIAL	Fabric

Product Description

Indigo ceramic table lamp with Pearl grey short drum shade

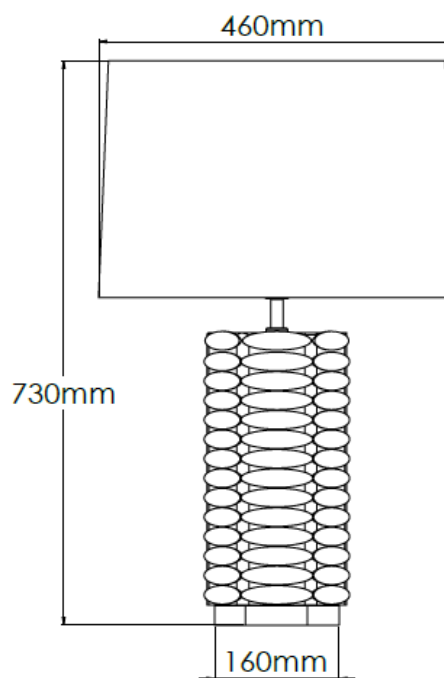


Technical Specification

MATERIAL	Ceramic / Brass	IP Rating	IP20
FINISH	Indigo	HEIGHT	730mm
LAMPHOLDER TYPE	E27 x 1	WIDTH	460mm
RECOMMENDED LAMP	GLS	DEPTH/PROJECTION	460mm
MAX WATTAGE	12W	BACK/CEILING PLATE	N/A
CERTIFICATIONS	UKCA CE	BASE DIAMETER	160mm
DIMMABLE	Mains - If lamps are compatible	WEIGHT	10kg
CLASS I / II / III	Class I	SHADE MATERIAL	Fabric

Product Description

Onyx ceramic table lamp with smoke short drum shade

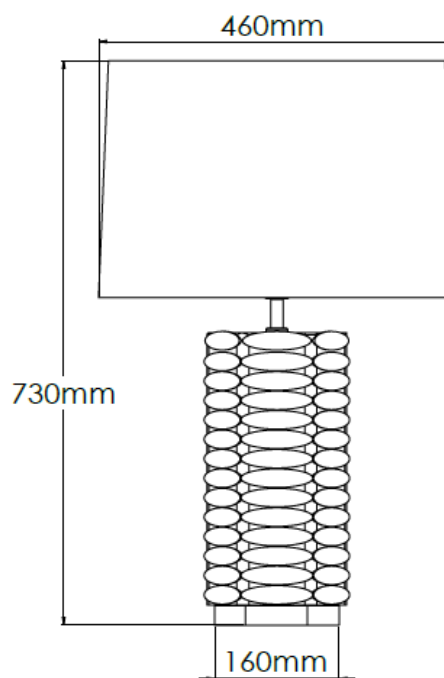


Technical Specification

MATERIAL	Ceramic / Brass	IP Rating	IP20
FINISH	Onyx	HEIGHT	730mm
LAMPHOLDER TYPE	E27 x 1	WIDTH	460mm
RECOMMENDED LAMP	GLS	DEPTH/PROJECTION	460mm
MAX WATTAGE	12W	BACK/CEILING PLATE	N/A
CERTIFICATIONS	UKCA CE	BASE DIAMETER	160mm
DIMMABLE	Mains - If lamps are compatible	WEIGHT	10kg
CLASS I / II / III	Class I	SHADE MATERIAL	Fabric

Product Description

Willow ceramic table lamp with Saxon parchment soho drum shade



Technical Specification

MATERIAL	Ceramic / Brass	IP Rating	IP20
FINISH	Willow	HEIGHT	730mm
LAMPHOLDER TYPE	E27 x 1	WIDTH	460mm
RECOMMENDED LAMP	GLS	DEPTH/PROJECTION	460mm
MAX WATTAGE	12W	BACK/CEILING PLATE	N/A
CERTIFICATIONS	UKCA CE	BASE DIAMETER	160mm
DIMMABLE	Mains - If lamps are compatible	WEIGHT	10kg
CLASS I / II / III	Class I	SHADE MATERIAL	Fabric