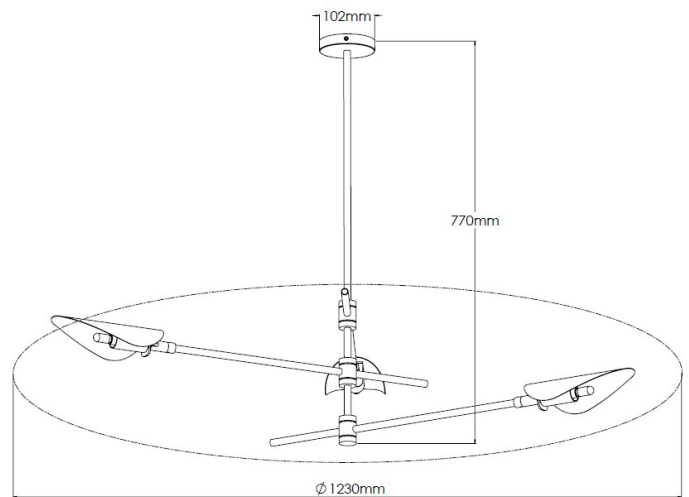


Product Description

Matte black pendant with brushed brass detailing



Technical Specification

MATERIAL	Mild Steel / Brass	IP Rating	IP20
FINISH	P/C Matte Black P1/MBL	HEIGHT	770mm
LAMPHOLDER TYPE	Large G9	WIDTH	1230mm
RECOMMENDED LAMP	G9 Only	DEPTH/PROJECTION	1230mm
MAX WATTAGE	12W	BACK/CEILING PLATE	102mm
CERTIFICATIONS	UKCA CE	BASE DIAMETER	N/A
DIMMABLE	Mains - If lamps are compatible	WEIGHT	4kg
CLASS I / II / III	Class I	SHADE MATERIAL	Metal