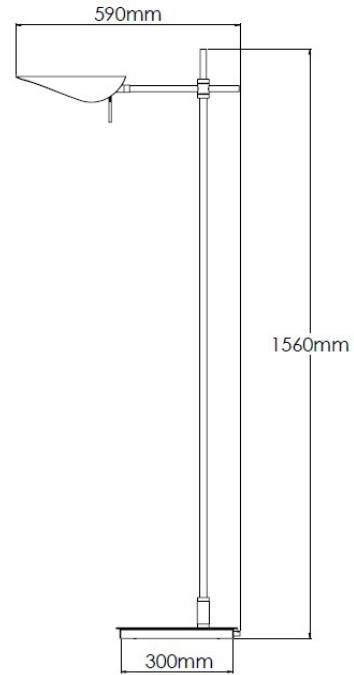


Product Description

Matte black floor lamp with brushed brass detailing

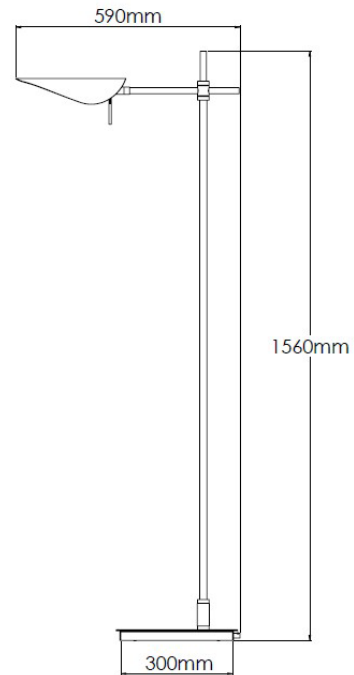


Technical Specification

MATERIAL	Mild Steel / Brass	IP Rating	IP20
FINISH	P/C Matte Black P1/MBL	HEIGHT	1560mm
LAMPHOLDER TYPE	SES	WIDTH	170mm
RECOMMENDED LAMP	A60/GLS	DEPTH/PROJECTION	590mm
MAX WATTAGE	12W	BACK/CEILING PLATE	N/A
CERTIFICATIONS	UKCA CE, UL	BASE DIAMETER	300x150mm
DIMMABLE	Mains - If lamps are compatible	WEIGHT	10kg
CLASS I / II / III	Class I	SHADE MATERIAL	Metal

Product Description

Matte black floor lamp with brushed stainless-steel detailing



Technical Specification

MATERIAL	Mild Steel / Stainless Steel	IP Rating	IP20
FINISH	P/C Matte Black P1/MBL	HEIGHT	1560mm
LAMPHOLDER TYPE	SES	WIDTH	170mm
RECOMMENDED LAMP	A60/GLS	DEPTH/PROJECTION	590mm
MAX WATTAGE	12W	BACK/CEILING PLATE	N/A
CERTIFICATIONS	UKCA CE, UL	BASE DIAMETER	300x150mm
DIMMABLE	Mains - If lamps are compatible	WEIGHT	10kg
CLASS I / II / III	Class I	SHADE MATERIAL	Metal