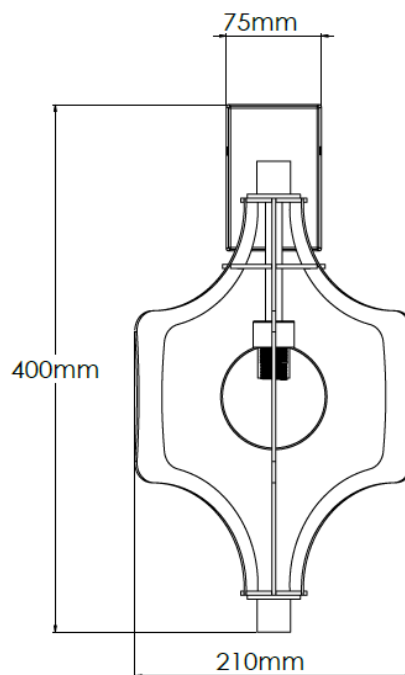


## Product Description

Carbonne-finished steel wall light

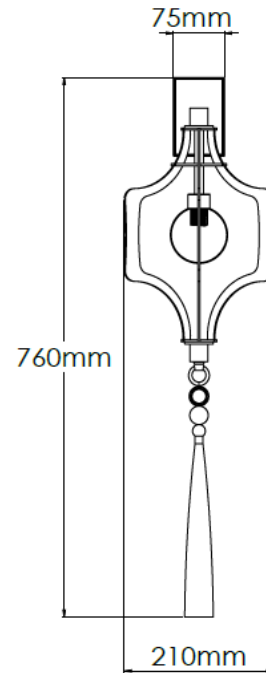


## Technical Specification

<b>MATERIAL</b>	Mild Steel / Glass	<b>IP Rating</b>	IP20
<b>FINISH</b>	Carbonne M6/CRB	<b>HEIGHT</b>	400mm
<b>LAMPHOLDER TYPE</b>	Large G9 x 1	<b>WIDTH</b>	210mm
<b>RECOMMENDED LAMP</b>	G9	<b>DEPTH/PROJECTION</b>	325mm
<b>MAX WATTAGE</b>	3W	<b>BACK/CEILING PLATE</b>	115 x 75mm
<b>CERTIFICATIONS</b>	UKCA CE	<b>BASE DIAMETER</b>	N/A
<b>DIMMABLE</b>	Mains - If lamps are compatible	<b>WEIGHT</b>	4kg
<b>CLASS I / II / III</b>	Class I	<b>SHADE MATERIAL</b>	Glass

## Product Description

Carbonne-finished steel wall light with tassel

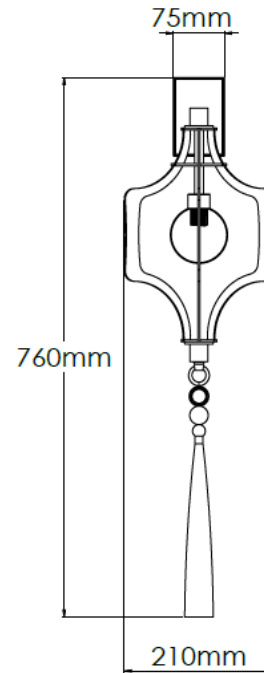


## Technical Specification

<b>MATERIAL</b>	Mild Steel / Glass	<b>IP Rating</b>	IP20
<b>FINISH</b>	Carbonne M6/CRB	<b>HEIGHT</b>	760mm
<b>LAMPHOLDER TYPE</b>	Large G9 x 1	<b>WIDTH</b>	210mm
<b>RECOMMENDED LAMP</b>	G9	<b>DEPTH/PROJECTION</b>	325mm
<b>MAX WATTAGE</b>	3W	<b>BACK/CEILING PLATE</b>	115 x 75mm
<b>CERTIFICATIONS</b>	UKCA CE	<b>BASE DIAMETER</b>	N/A
<b>DIMMABLE</b>	Mains - If lamps are compatible	<b>WEIGHT</b>	4kg
<b>CLASS I / II / III</b>	Class I	<b>SHADE MATERIAL</b>	Glass

## Product Description

Patinated gold-finished steel wall light

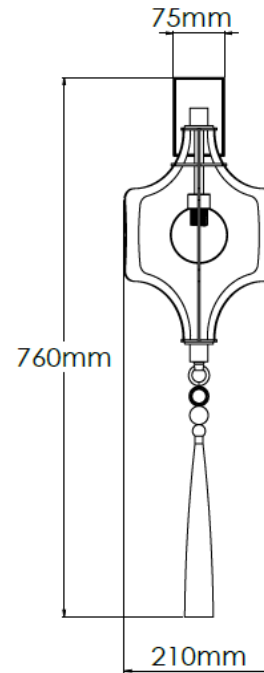


## Technical Specification

<b>MATERIAL</b>	Mild Steel	<b>IP Rating</b>	IP20
<b>FINISH</b>	Patinated Gold M6/PGLD	<b>HEIGHT</b>	400mm
<b>LAMPHOLDER TYPE</b>	Large G9 x 1	<b>WIDTH</b>	210mm
<b>RECOMMENDED LAMP</b>	G9	<b>DEPTH/PROJECTION</b>	325mm
<b>MAX WATTAGE</b>	3W	<b>BACK/CEILING PLATE</b>	115 x 75mm
<b>CERTIFICATIONS</b>	UKCA CE	<b>BASE DIAMETER</b>	N/A
<b>DIMMABLE</b>	Mains - If lamps are compatible	<b>WEIGHT</b>	4kg
<b>CLASS I / II / III</b>	Class I	<b>SHADE MATERIAL</b>	Glass

## Product Description

Patinated gold-finished steel wall light with tassel



## Technical Specification

MATERIAL	Mild Steel	IP Rating	IP20
FINISH	Patinated Gold M6/PGLD	HEIGHT	760mm
LAMPHOLDER TYPE	Large G9 x 1	WIDTH	210mm
RECOMMENDED LAMP	G9	DEPTH/PROJECTION	325mm
MAX WATTAGE	3W	BACK/CEILING PLATE	115 x 75mm
CERTIFICATIONS	UKCA CE	BASE DIAMETER	N/A
DIMMABLE	Mains - If lamps are compatible	WEIGHT	4kg
CLASS I / II / III	Class I	SHADE MATERIAL	Glass