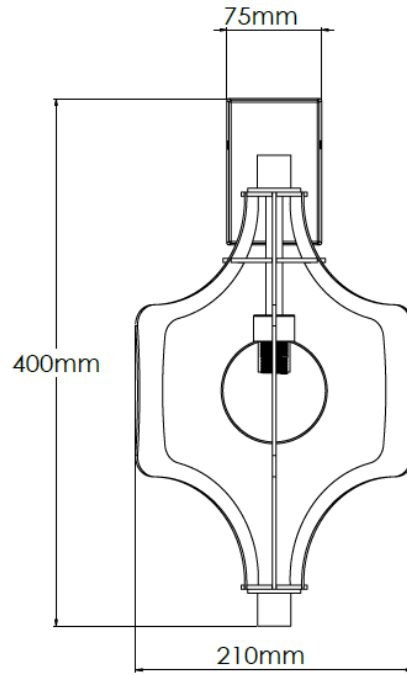


Product Description

Carbonne- finished steel wall light

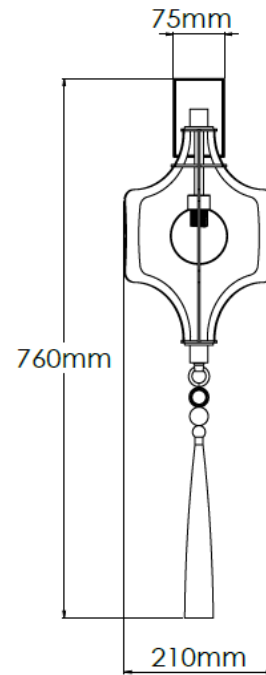


Technical Specification

MATERIAL	Mild Steel / Glass	IP Rating	IP20
FINISH	Carbonne M6/CRB	HEIGHT	400mm
LAMPHOLDER TYPE	Large G9 x 1	WIDTH	210mm
RECOMMENDED LAMP	G9	DEPTH/PROJECTION	325mm
MAX WATTAGE	3W	BACK/CEILING PLATE	115 x 75mm
CERTIFICATIONS	UKCA CE	BASE DIAMETER	N/A
DIMMABLE	Mains - If lamps are compatible	WEIGHT	4kg
CLASS I / II / III	Class I	SHADE MATERIAL	Glass

Product Description

Carbonne- finished steel wall light with tassel

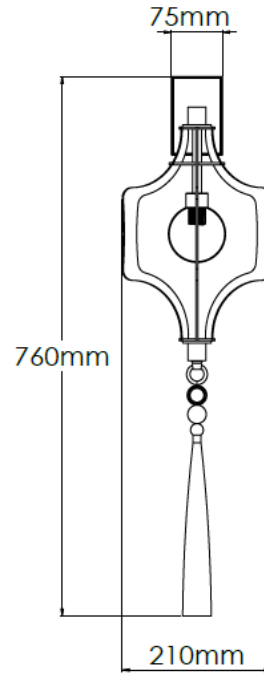


Technical Specification

MATERIAL	Mild Steel / Glass	IP Rating	IP20
FINISH	Carbonne M6/CRB	HEIGHT	760mm
LAMPHOLDER TYPE	Large G9 x 1	WIDTH	210mm
RECOMMENDED LAMP	G9	DEPTH/PROJECTION	325mm
MAX WATTAGE	3W	BACK/CEILING PLATE	115 x 75mm
CERTIFICATIONS	UKCA CE	BASE DIAMETER	N/A
DIMMABLE	Mains - If lamps are compatible	WEIGHT	4kg
CLASS I / II / III	Class I	SHADE MATERIAL	Glass

Product Description

Patinated gold-finished steel wall light

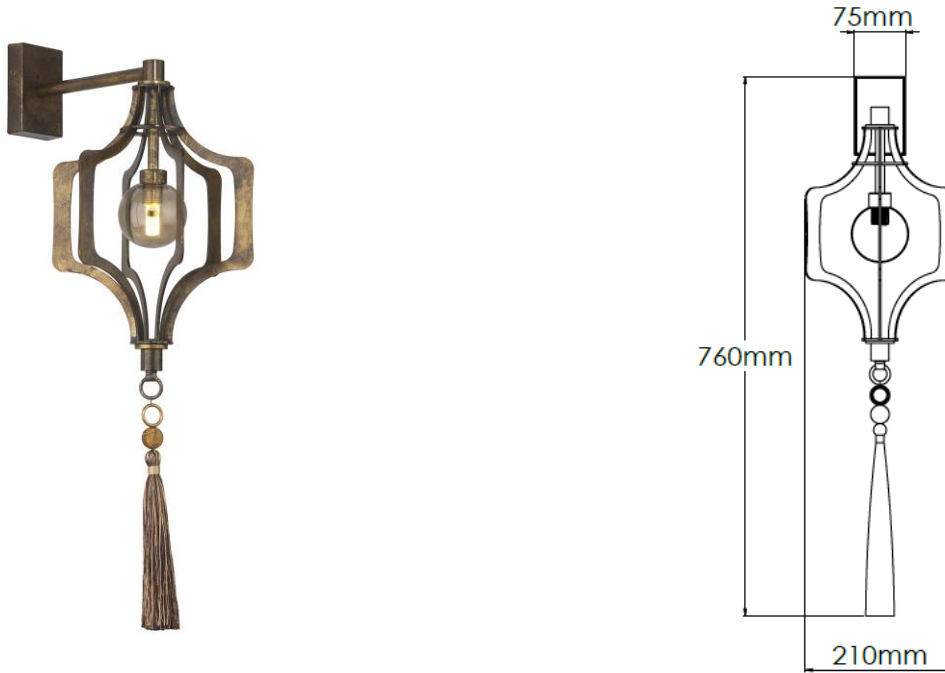


Technical Specification

MATERIAL	Mild Steel	IP Rating	IP20
FINISH	Patinated Gold M6/PGLD	HEIGHT	400mm
LAMPHOLDER TYPE	Large G9 x 1	WIDTH	210mm
RECOMMENDED LAMP	G9	DEPTH/PROJECTION	325mm
MAX WATTAGE	3W	BACK/CEILING PLATE	115 x 75mm
CERTIFICATIONS	UKCA CE	BASE DIAMETER	N/A
DIMMABLE	Mains - If lamps are compatible	WEIGHT	4kg
CLASS I / II / III	Class I	SHADE MATERIAL	Glass

Product Description

Patinated gold-finished steel wall light with tassel



Technical Specification

MATERIAL	Mild Steel	IP Rating	IP20
FINISH	Patinated Gold M6/PGLD	HEIGHT	760mm
LAMPHOLDER TYPE	Large G9 x 1	WIDTH	210mm
RECOMMENDED LAMP	G9	DEPTH/PROJECTION	325mm
MAX WATTAGE	3W	BACK/CEILING PLATE	115 x 75mm
CERTIFICATIONS	UKCA CE	BASE DIAMETER	N/A
DIMMABLE	Mains - If lamps are compatible	WEIGHT	4kg
CLASS I / II / III	Class I	SHADE MATERIAL	Glass