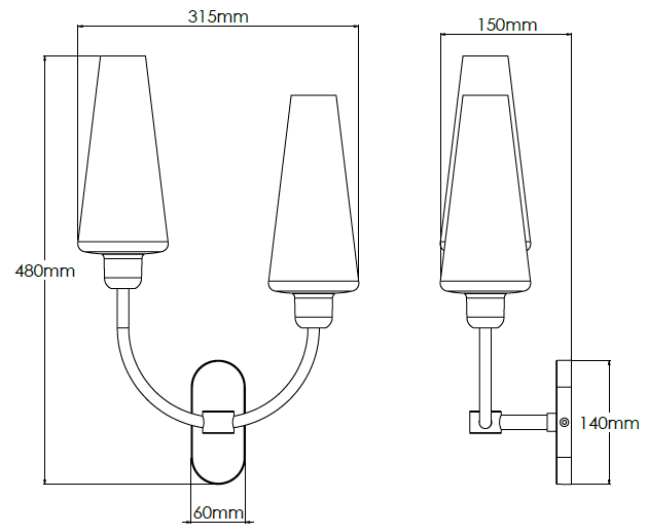


Product Description

Brass wall light with alabaster shades

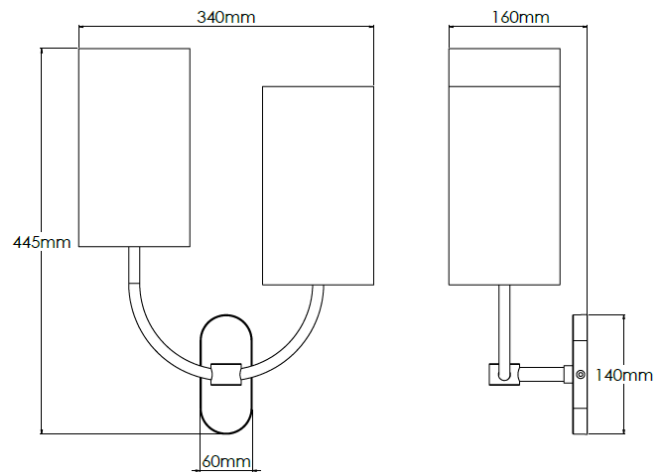


Technical Specification

| | | | |
|---------------------------|---------------------------------|---------------------------|-----------|
| MATERIAL | Brass / Alabaster | IP Rating | IP20 |
| FINISH | Vintage Brass M6/VINBR | HEIGHT | 480mm |
| LAMPHOLDER TYPE | SES x 2 | WIDTH | 315mm |
| RECOMMENDED LAMP | Tube < 28mm Dia. | DEPTH/PROJECTION | 150mm |
| MAX WATTAGE | 4W | BACK/CEILING PLATE | 140x60mm |
| CERTIFICATIONS | UKCA CE | BASE DIAMETER | N/A |
| DIMMABLE | Mains - If lamps are compatible | WEIGHT | 4kg |
| CLASS I / II / III | Class I | SHADE MATERIAL | Alabaster |

Product Description

Brass wall light with fabric shades



Technical Specification

| | | | |
|---------------------------|---------------------------------|---------------------------|----------|
| MATERIAL | Brass / Fabric | IP Rating | IP20 |
| FINISH | Vintage Brass M6/VINBR | HEIGHT | 445mm |
| LAMPHOLDER TYPE | SES x 2 | WIDTH | 340mm |
| RECOMMENDED LAMP | Candle | DEPTH/PROJECTION | 160mm |
| MAX WATTAGE | 24W | BACK/CEILING PLATE | 140x60mm |
| CERTIFICATIONS | UKCA CE | BASE DIAMETER | N/A |
| DIMMABLE | Mains - If lamps are compatible | WEIGHT | 2kg |
| CLASS I / II / III | Class I | SHADE MATERIAL | Fabric |