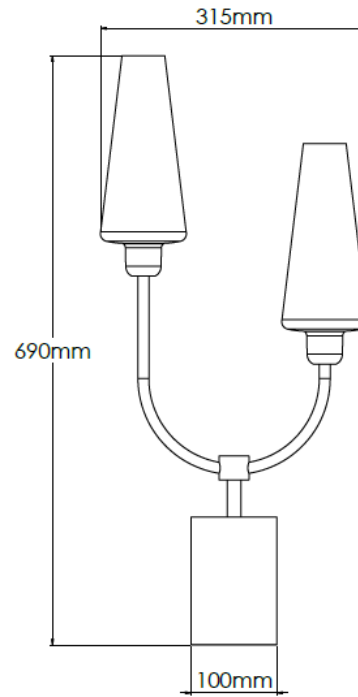


Product Description

Brass table lamp with carbonne base and alabaster shades

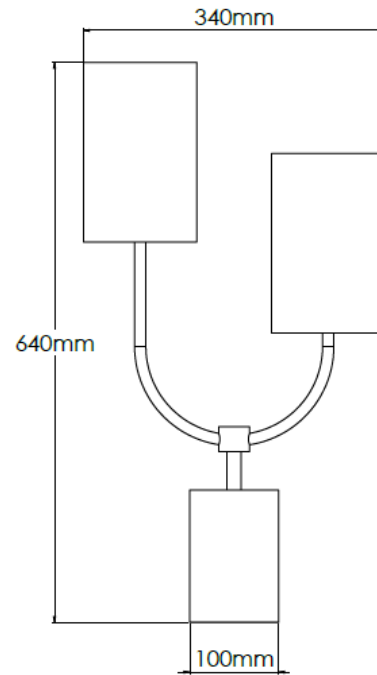


Technical Specification

MATERIAL	Brass / Mild Steel / Alabaster	IP Rating	IP20
FINISH	Vintage Brass M6/VINBR	HEIGHT	690mm
LAMPHOLDER TYPE	SES x 1	WIDTH	315mm
RECOMMENDED LAMP	Tube < 28mm Dia.	DEPTH/PROJECTION	100mm
MAX WATTAGE	8W	BACK/CEILING PLATE	N/A
CERTIFICATIONS	UKCA CE	BASE DIAMETER	100mm
DIMMABLE	Mains - If lamps are compatible	WEIGHT	7kg
CLASS I / II / III	Class I	SHADE MATERIAL	Alabaster

Product Description

Brass table lamp with carbonne base and fabric shades



Technical Specification

MATERIAL	Brass / Mild Steel / Alabaster	IP Rating	IP20
FINISH	Vintage Brass M6/VINBR	HEIGHT	640mm
LAMPHOLDER TYPE	SES x 2	WIDTH	340mm
RECOMMENDED LAMP	Candle	DEPTH/PROJECTION	130mm
MAX WATTAGE	24W	BACK/CEILING PLATE	N/A
CERTIFICATIONS	UKCA CE	BASE DIAMETER	100mm
DIMMABLE	Mains - If lamps are compatible	WEIGHT	5kg
CLASS I / II / III	Class I	SHADE MATERIAL	Fabric