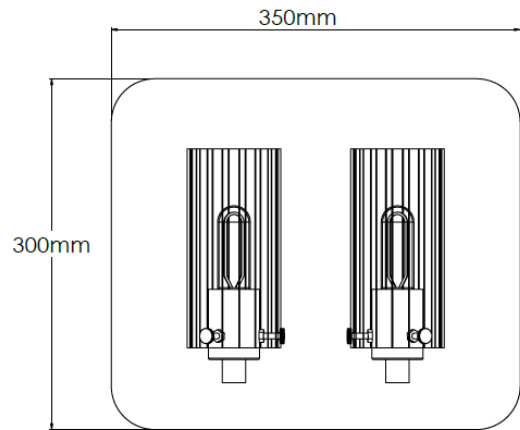


Product Description

Twin wall light in aged brass with smoke glass

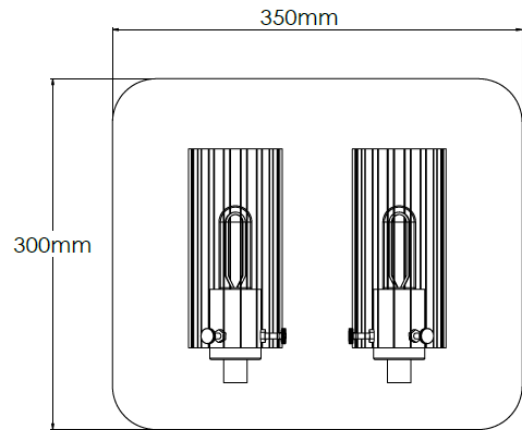


Technical Specification

MATERIAL	Brass / Glass	IP Rating	IP20
FINISH	Aged Brass M6/AGBR	HEIGHT	300mm
LAMPHOLDER TYPE	E27 x 2	WIDTH	350mm
RECOMMENDED LAMP	Tube / LED Strip	DEPTH/PROJECTION	155mm
MAX WATTAGE	33W	BACK/CEILING	280 x 240mm
CERTIFICATIONS	UKCA CE, UL	PLATE BASE	N/A
DIMMABLE	Mains - If lamps are compatible	DIAMETER WEIGHT	5kg
CLASS I / II / III	Class I	SHADE MATERIAL	Glass

Product Description

Twin wall light in antique nickel with clear glass



Technical Specification

MATERIAL	Brass / Glass	IP Rating	IP20
FINISH	Antique Nickel M5/ANTNCKL	HEIGHT	300mm
LAMPHOLDER TYPE	E27 x 2	WIDTH	350mm
RECOMMENDED LAMP	Tube / LED Strip	DEPTH/PROJECTION	155mm
MAX WATTAGE	33W	BACK/CEILING	280 x 240mm
CERTIFICATIONS	UKCA CE, UL	PLATE BASE	N/A
DIMMABLE	Mains - If lamps are compatible	DIAMETER WEIGHT	5kg
CLASS I / II / III	Class I	SHADE MATERIAL	Glass