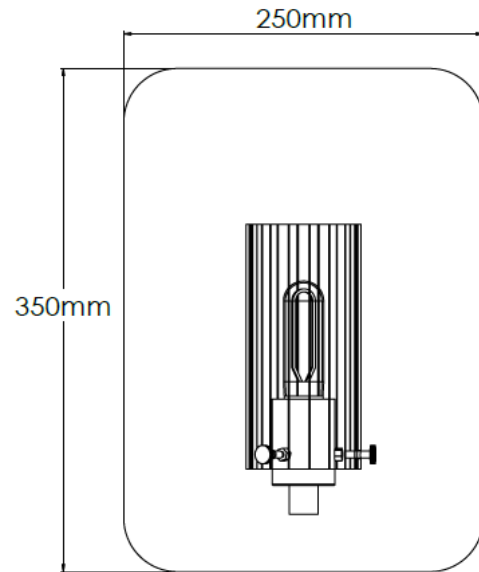


## Product Description

Single wall light in aged brass with smoke glass

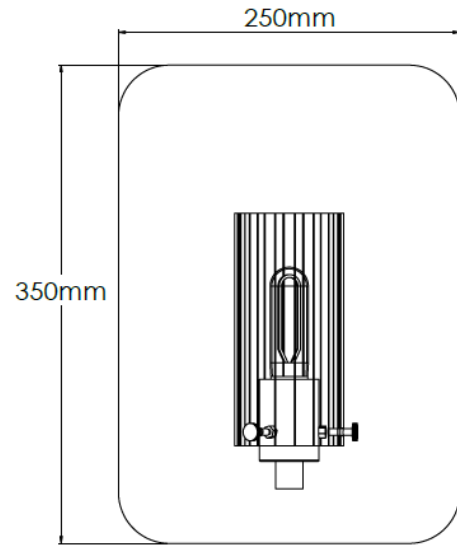


## Technical Specification

<b>MATERIAL</b>	Brass / Glass	<b>IP Rating</b>	IP20
<b>FINISH</b>	Aged Brass M6/AGBR	<b>HEIGHT</b>	350mm
<b>LAMPHOLDER TYPE</b>	E27 x 1	<b>WIDTH</b>	250mm
<b>RECOMMENDED LAMP</b>	Tube / LED Strip	<b>DEPTH/PROJECTION</b>	155mm
<b>MAX WATTAGE</b>	23W	<b>BACK/CEILING PLATE</b>	300 x
<b>CERTIFICATIONS</b>	UKCA CE, UL	<b>BASE DIAMETER</b>	190mm N/A
<b>DIMMABLE</b>	Mains - If lamps are compatible	<b>WEIGHT</b>	3kg
<b>CLASS I / II / III</b>	Class I	<b>SHADE MATERIAL</b>	Glass

## Product Description

Single wall light in antique nickel with clear glass



## Technical Specification

<b>MATERIAL</b>	Brass / Glass	<b>IP Rating</b>	IP20
<b>FINISH</b>	Antique Nickel M5/ANTNCKL	<b>HEIGHT</b>	350mm
<b>LAMPHOLDER TYPE</b>	E27 x 1	<b>WIDTH</b>	250mm
<b>RECOMMENDED LAMP</b>	Tube / LED Strip	<b>DEPTH/PROJECTION</b>	155mm
<b>MAX WATTAGE</b>	23W	<b>BACK/CEILING</b>	300 x
<b>CERTIFICATIONS</b>	UKCA CE, UL	<b>PLATE BASE</b>	190mm N/A
<b>DIMMABLE</b>	Mains - If lamps are compatible	<b>DIAMETER WEIGHT</b>	3kg
<b>CLASS I / II / III</b>	Class I	<b>SHADE MATERIAL</b>	Glass