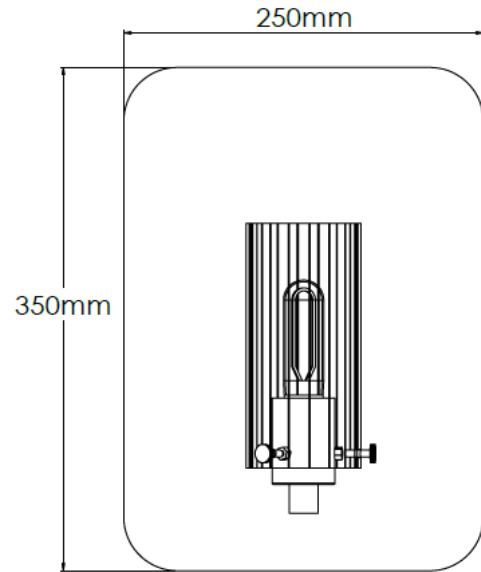


Product Description

Single wall light in aged brass with smoke glass

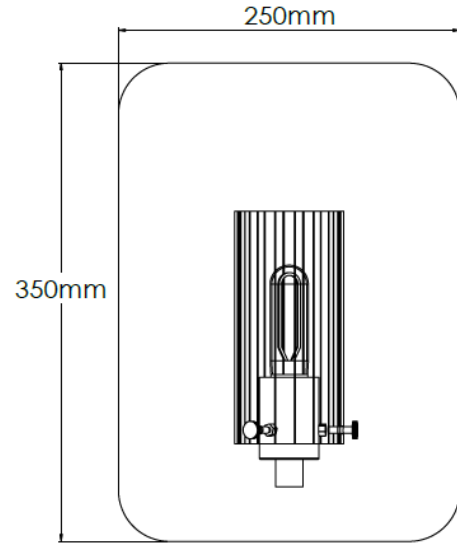


Technical Specification

MATERIAL	Brass / Glass	IP Rating	IP20
FINISH	Aged Brass M6/AGBR	HEIGHT	350mm
LAMPHOLDER TYPE	E27 x 1	WIDTH	250mm
RECOMMENDED LAMP	Tube / LED Strip	DEPTH/PROJECTION	155mm
MAX WATTAGE	23W	BACK/CEILING PLATE	300 x 190mm
CERTIFICATIONS	UKCA CE	BASE DIAMETER	N/A
DIMMABLE	Mains - If lamps are compatible	WEIGHT	3kg
CLASS I / II / III	Class I	SHADE MATERIAL	Glass

Product Description

Single wall light in antique nickel with clear glass



Technical Specification

MATERIAL	Brass / Glass	IP Rating	IP20
FINISH	Antique Nickel M5/ANTNCKL	HEIGHT	350mm
LAMPHOLDER TYPE	E27 x 1	WIDTH	250mm
RECOMMENDED LAMP	Tube / LED Strip	DEPTH/PROJECTION	155mm
MAX WATTAGE	23W	BACK/CEILING PLATE	300 x 190mm
CERTIFICATIONS	UKCA CE	BASE DIAMETER	N/A
DIMMABLE	Mains - If lamps are compatible	WEIGHT	3kg
CLASS I / II / III	Class I	SHADE MATERIAL	Glass