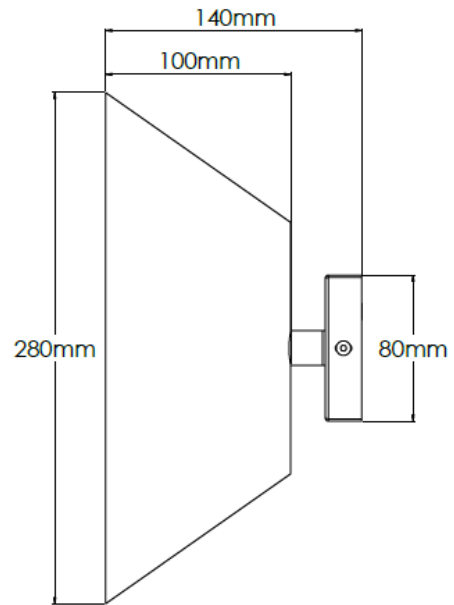


Product Description

Matte black up-down wall light



Technical Specification

MATERIAL	Mild Steel	IP Rating	IP20
FINISH	P/C Matte Black P1/MBL	HEIGHT	280mm
LAMPHOLDER TYPE	GU10 x 2	WIDTH	100mm
RECOMMENDED LAMP	GU10	DEPTH/PROJECTION	140mm
MAX WATTAGE	11W	BACK/CEILING PLATE	80x60mm
CERTIFICATIONS	UKCA CE	BASE DIAMETER	N/A
DIMMABLE	Mains - If lamps are compatible	WEIGHT	2kg
CLASS I / II / III	Class I	SHADE MATERIAL	Metal