

Wall Lamp

INSTRUCTION MANUAL

Safety Warnings

- This product is only suitable for connection to a 220-240V~ 50Hz supply in accordance with current IEE wiring regulations, and should be installed in accordance with local building regulations. It is for indoor use only, and is **not** suitable for a bathroom location.
- Before installing your light fitting always switch off the mains supply, and remove the appropriate fuse or switch off the appropriate circuit breaker before commencing installation. Ensure that no one else has access that would enable the supply to be inadvertently reconnected.
- This fitting is a **Class II**, Double Insulated product and does **not** require an Earth. Live or Neutral **must not** be connected to Earth.
- Never fit bulbs of a higher wattage than those specified on the label (as these may cause overheating and damage the fitting)
- This product may contain delicate parts – be careful during handling and maintenance to avoid breakage.
- If you are in any doubt about your competence please consult a qualified electrician.
- If any modification is made it will invalidate the warranty and may render the product unsafe.

Care Information

Allow 10 minutes to cool before replacing, adjusting or cleaning.
Clean with a dry cloth only. Do not use liquid or abrasive cleaners on this product.

Assembly / User Instructions

Before you start

**Please read these instructions carefully before fitting your new light and retain for reference.
Make sure that there are no pipes or cables beneath the mounting surface.**

Please read these instructions carefully before fitting and retain for reference.
Check the packaging and make sure that you have all the required parts.
Follow each assembly step in order to prevent incorrect assembly.
Ensure that the product is fully assembled as illustrated before use.

The Light pack contains:

Light fitting.
Terminal connection block(s).
Fixing pack.

The following tools may be required:

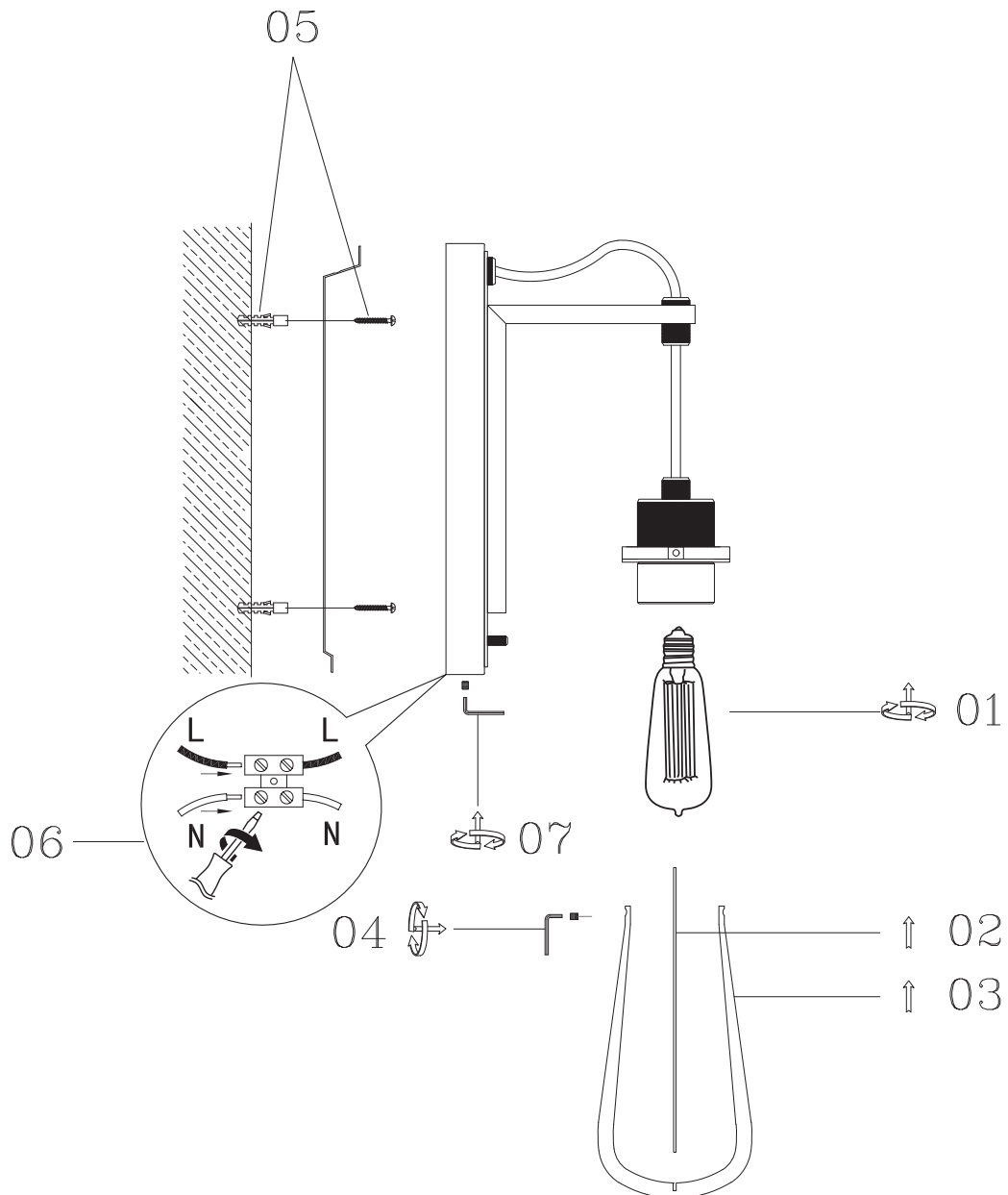
Selection of cross and flat head screwdrivers.
Electric drill and assorted drill bits.
Wire strippers.
Electrical insulation tape.

These assembly diagrams are intended as a guide – if in doubt, please consult a qualified electrician.

1. Decide on the position of the light fitting / or remove existing light fitting. Take a note of the position of the electrical connections. Ensure there is a solid mounting surface, preferably a wooden joist or joist bridge to support the weight of the light fitting.
2. Remove the two side screws with Allen key and retain the screws for re-use. Use the fixing bracket as a template to mark the screw holes. Mark the screw holes and secure to the ceiling with appropriate plastic plugs and fixing screws (5), making sure the bracket is correctly aligned.

Assembly / User Instructions Continued

- Support your fitting and connect the house wiring to the terminal block (6) – see expanded wiring details below. **NOTE: This is a Class II fitting and must not be earthed.**
- Re-position the fitting over the wall bracket by using the screws removed in Point 2. Make sure that all the internal cables and connections are inside the back plate taking care not to trap or strain the internal cables.
- Fit the bulb (1). **NOTE: Never fit bulbs of a higher wattage than those specified on the label** (as these may cause overheating and damage the fitting).
- Fit the shade fittings (02/03) by using the fixing screws with Allen key.
- Turn on the power and test.



- EN Scan QR code for multi-language
- FR Scannez le code QR pour plusieurs langues
- ES Escanee el código QR para varios idiomas
- PL Zeskanuj kod QR dla wielu języków
- DE Scannen Sie den QR-Code nach mehreren Sprachen
- IT Scansiona il codice QR per multilingua